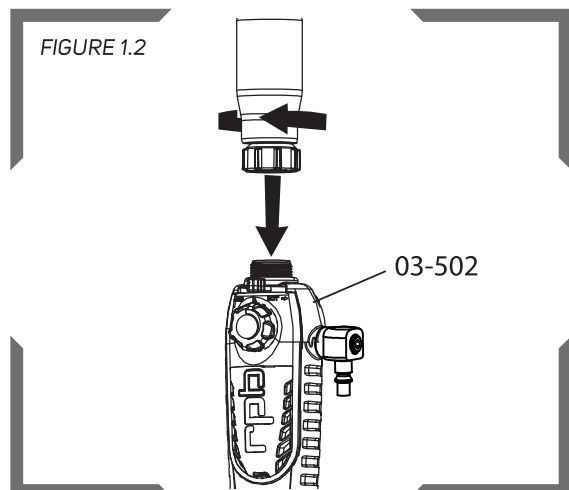
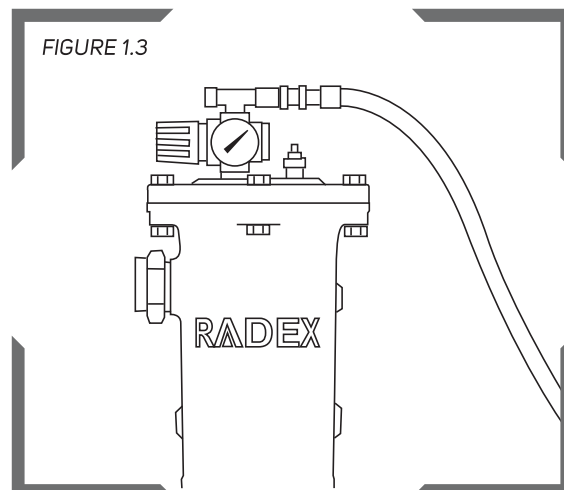


SETUP AND CARE



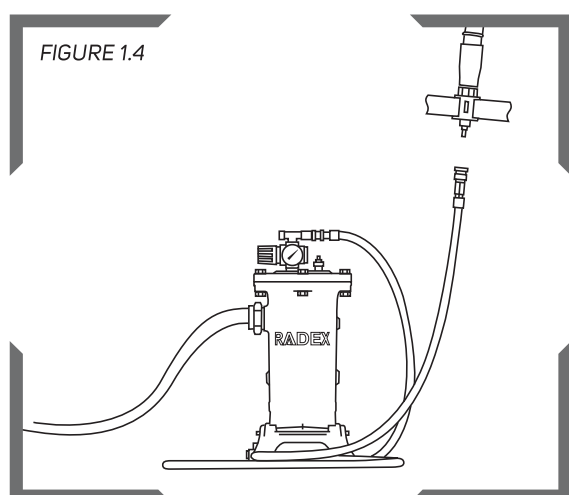
ATTACH THE BREATHING TUBE

Thread on the loose running nut of the Breathing Tube on to the C40™ Climate Control Device (03-502). Screw the running nut in a clockwise direction until tight.



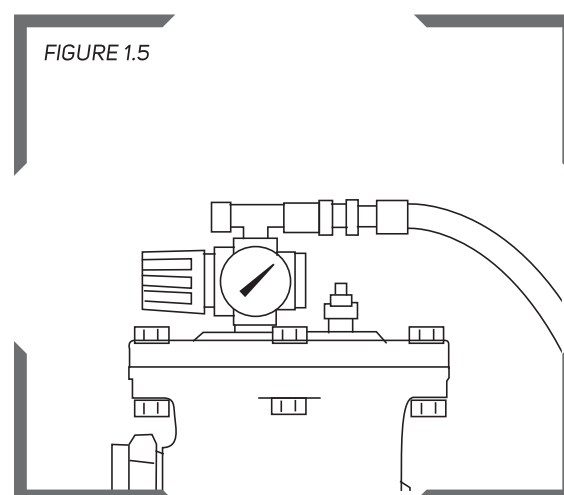
CONNECT AIR SUPPLY HOSE

Connect a RPB® Breathing Air Line insuring the maximum sections and lengths are within the specifications of the Breathing Air Pressure Table in the head-top instruction manual.



ADJUST AIR PRESSURE

Adjust the air pressure at the point of attachment according to the Breathing Air Pressure Table in the head-top instruction manual. Then connect the Breathing Air Line to the flow control device.

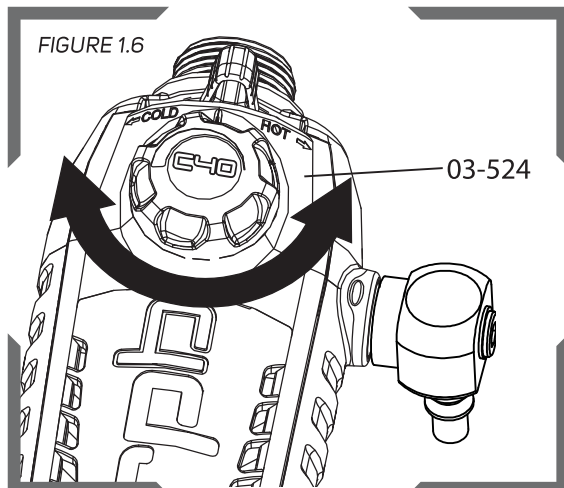


CHECK AIR PRESSURE

Re-check the air pressure at the point of attachment and adjust it if necessary. Ensure you are comfortable with the flow of air inside the respirator.

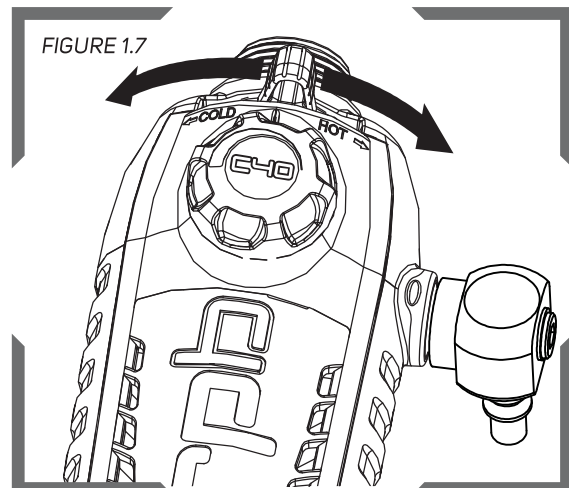
RPB C40™ CLIMATE CONTROL

SETUP AND CARE CONTINUED



ADJUSTING THE FLOW RATE

Air flowing into the respirator is controlled by the C40™ (03-502) by turning the Flow Knob (03-524). Note: With the pressure set according to the Breathing Air Pressure Table, the flow rate of air through the respirator should always exceed the minimum of 170 slpm.



ADJUSTING THE TEMPERATURE

To obtain cooler air, slide the regulator control selector to the left. This will increase the air flow out of the exhaust port. Similarly, slide the selector to the middle, this will increase the temperature of the air closer to the ambient temperature of your air supply, slide to the right for hot air.

! WARNING

Do not use the C40™ on the cold setting when ambient temperature is below 20°C (68° F) as ice could form in the cold air outlet resulting in insufficient airflow. Do not ingest ice that is formed on the C40™ Climate Control Device. Ice may have contaminants in it that could be dangerous to your health.

BREATHING AIR PRESSURE TABLE

S - Special or Critical Users Instructions

Refer to the head-top instruction manual for Breathing Air Pressure Table. This table lists air pressure ranges needed to provide the RPB® Supplied Air Respirators when using the C40™ Climate Control Device with the volume of air that falls within the required range of 170-425 slpm (6-15cfm).

INSPECTION, CLEANING AND STORAGE

C40™ Climate Control Device

The RPB® C40™ Climate Control Device has a limited service life, and therefore a regular inspection and replacement program must be conducted. All components of a Respirator Assembly including the Breathing Air Line, Head-top and Flow Control Devices should be inspected for damage and wear and tear, before use. Before each use, disassemble the C40™ to where the clear U-Tube is visible to inspect. If any damaged or worn parts are found, they should be replaced immediately, or the unit disposed of. Use only parts and components that are part of the respirator assembly as set out in this instruction manual or that of the head-top. Refer to the parts list on page 19 for the correct part numbers to replace parts of the C40™ Climate Control Device. Clean with water and mild detergent or a disinfecting wipe. Dry all parts and reassemble.

Store or transport the C40™ in a cool dry environment with the rest of the respirator assembly, or by itself in a sealed container or bag outside of the work environment.

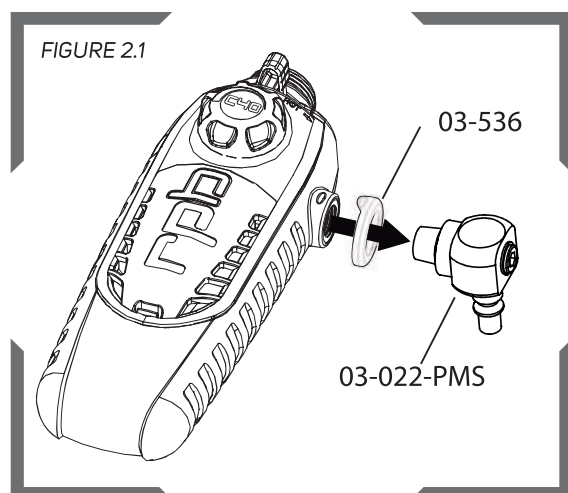
Breathing Air Line

Inspect the Breathing Air Line for cuts, cracks, blisters and excessive wear. Ensure the hose has not been crushed or kinked and that fittings are tightly crimped to the hose so air cannot escape. Replace the hose immediately if there are any signs of damage or wear.

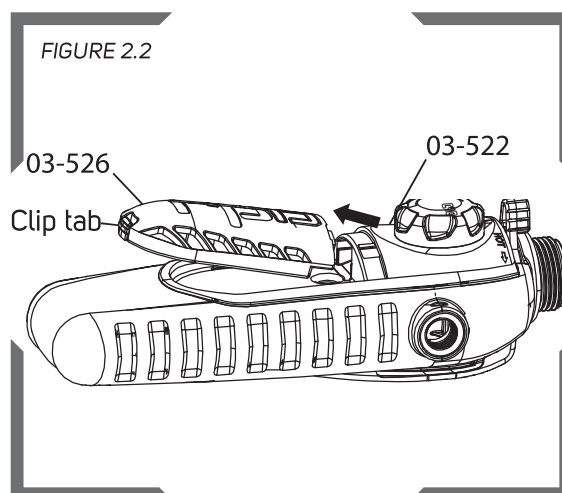
Do not run water through the inside of the hose. Check Quick Disconnect Couplings and use compressed air to remove any particles that may jam the coupler.

DISASSEMBLY INSTRUCTIONS

Let the device cool after use before disassembly. The inner components of this C40™ Climate Control Device will become very hot, take care when removing the parts so that you do not get burned. Allow sufficient time for the device to cool down before dismantling the device.



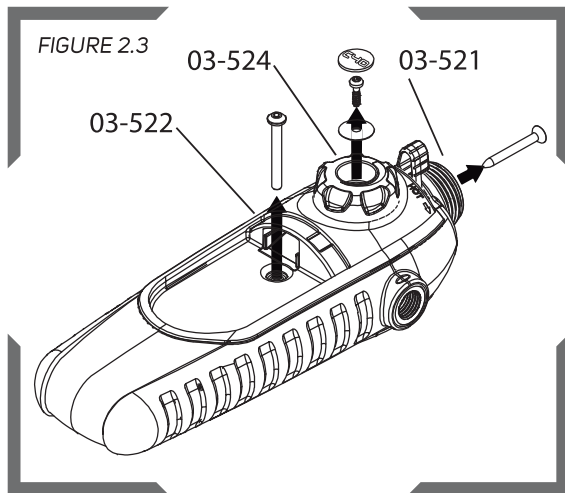
The first step is to use the Allen key to unscrew the Swivel Connector (03-022-PMS) from the body of the C40™. Unclip the (03-536) from the C40™ (03-502).



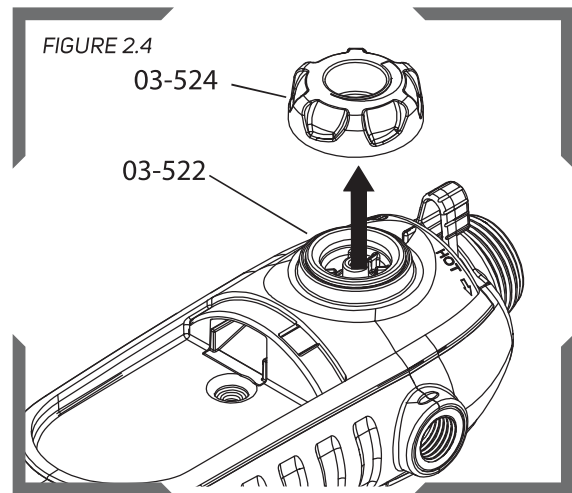
1. Push the clip tab on the Exhaust Cover (03-526) in until it unclips from Exhaust Case (03-522). **2.** Lift up the (03-526) and slide it out of the (03-522).

RPB C40™ CLIMATE CONTROL

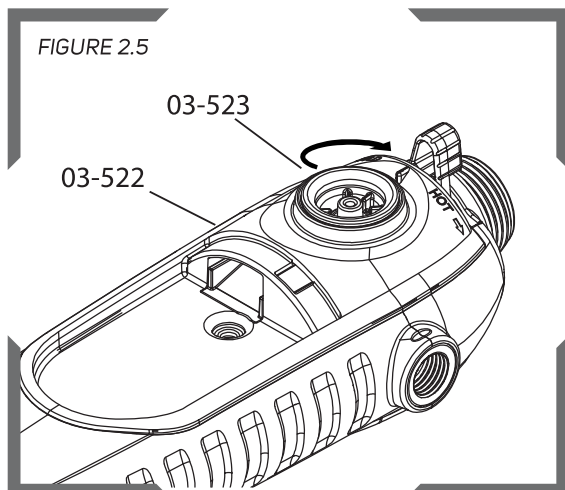
SETUP AND CARE CONTINUED



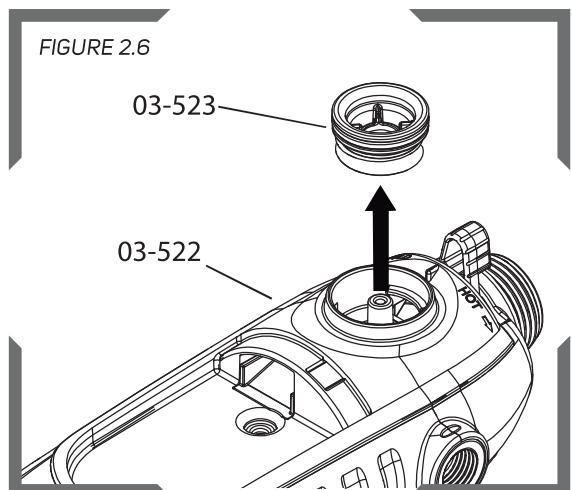
Remove the Cap from the Flow Knob (03-524) and then the screw and washer in the (03-524), as well as the screw from the Exhaust Case (03-522) and Top Casing (03-521) as shown in Figure 2.3.



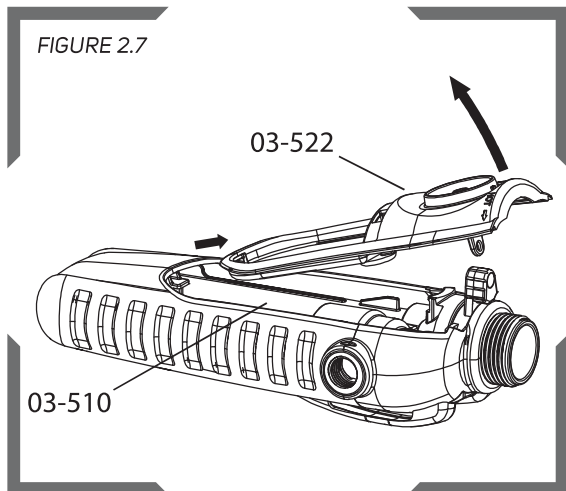
Remove the Flow Knob (03-524) from the Exhaust Case (03-522).



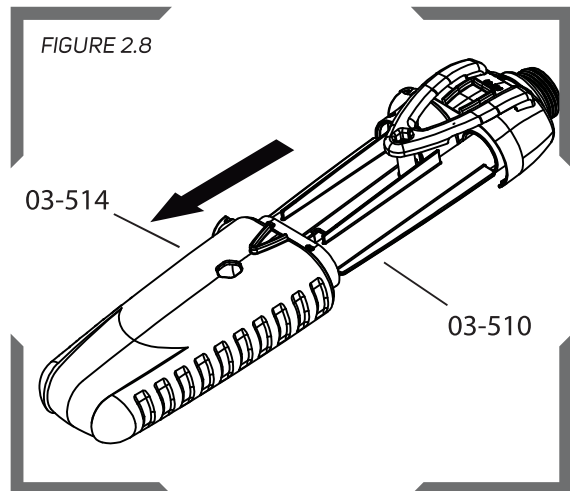
While pressing down firmly on Exhaust Case (03-522) turn the Flow Valve (03-523) 180° clockwise.



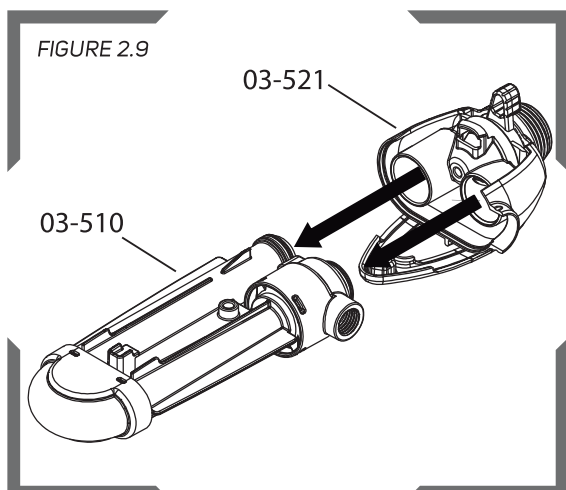
Remove the Flow Valve (03-523) from the Exhaust Case (03-522), taking care that the small center o-ring stays in place.



1. Lift the Exhaust Case (03-522) up from the U-Tube (03-510) **2.** Slide the 03-522 out from the 03-510.



Lift the Belt Loop over the Bottom Case (03-514) to allow it to slide down off of the U Tube (03-510).



To finish disassembly of your C40™, take the U-Tube (03-510) and slide it off of Top Case (03-521).

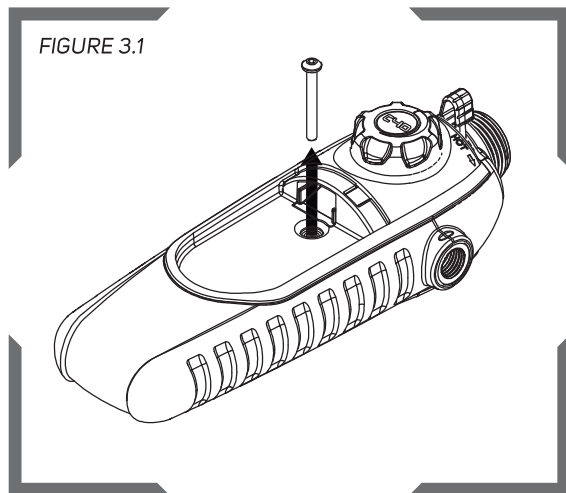
Note:

To assist in reassembly, fit the belt before installing the screws as per Figure 2.3.

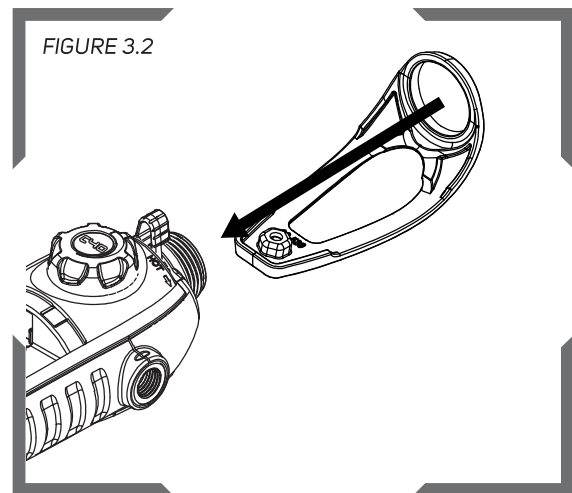
Silencer plates are included in part 03-526 (Exhaust Cover and Silencers). These must be fitted when the 03-502 is in use.

rpb C40™ CLIMATE CONTROL

SETUP AND CARE CONTINUED



To change the belt loop, remove the center screw and slide the old belt loop off, over the threaded outlet.



To install the new belt loop, slide it on over the threaded outlet and line up the hex nut indentation with the hole in the back of the housing. Reinsert the center screw and reassemble the silencers and exhaust cover.